

Sept. 13, 1949.

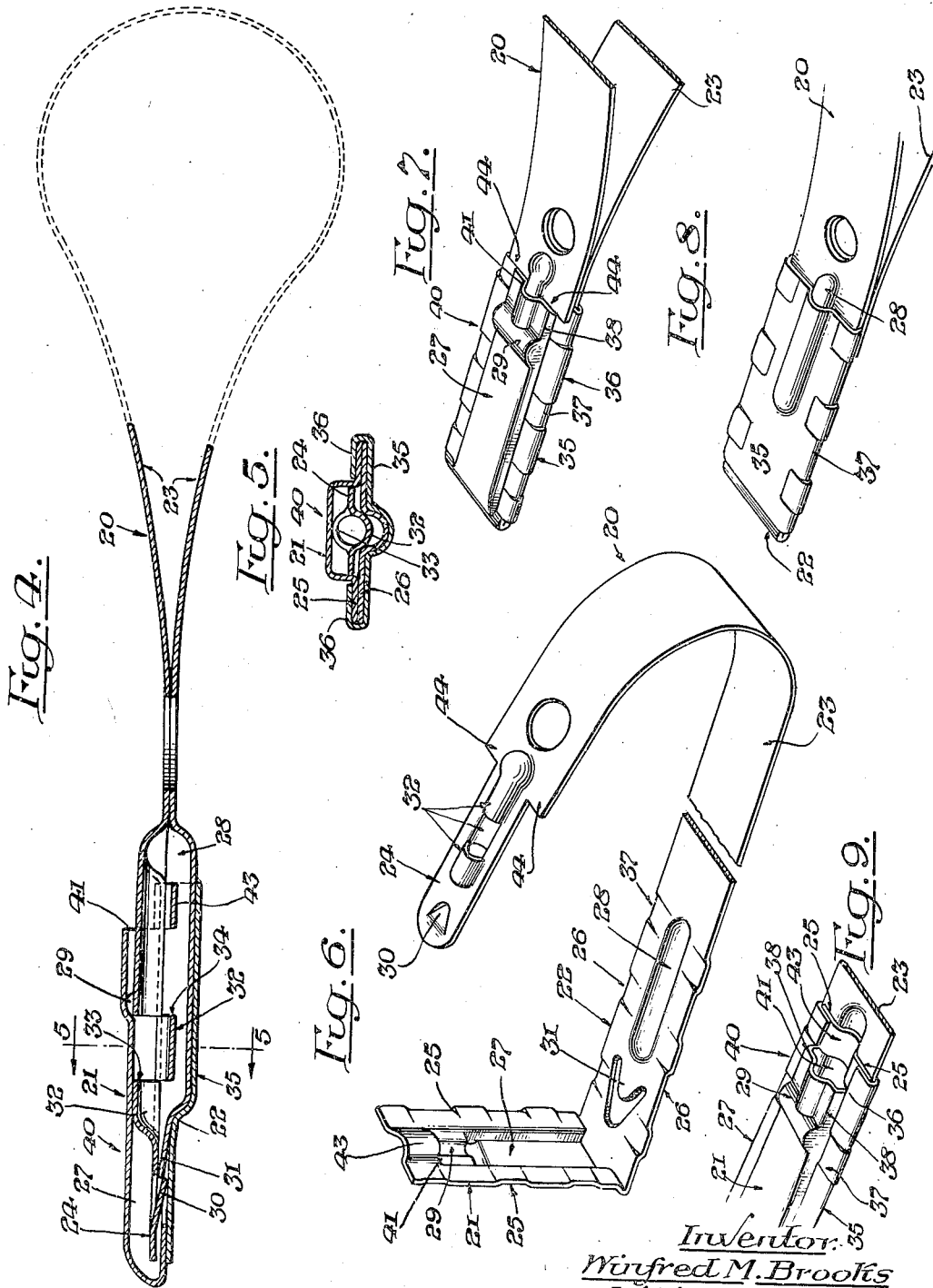
W. M. BROOKS

2,481,815

SHACKLE SEAL

Filed March 10, 1948

2 Sheets-Sheet 2



Inventor:  
W. M. Brooks  
by his Attorneys

*W. M. Brooks*